

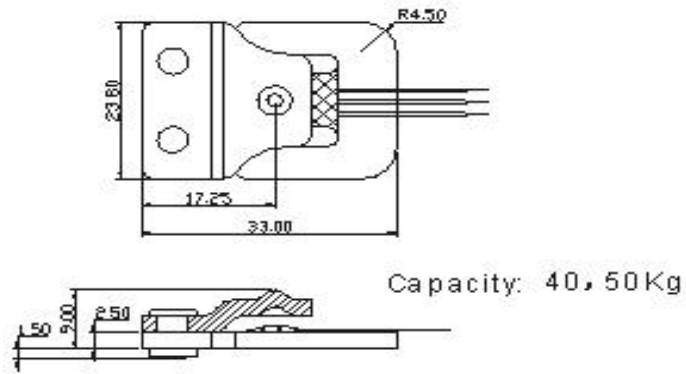
Model CSRT—2

kogean sensor—product—subminiature sensors—body scale sensors

Appearance



Outline



Specifications

Comprehensive Error		0.05
Output Sensitivity	(mV/V)	1.0±0.1
Nonlinearity	(%F.S)	±0.03
Repeatability	(%F.S)	±0.03
Hysteresis	(%F.S)	±0.03
Creep	(3min%F.S)	±0.03
Zero Drift	(1min%F.S)	±0.03
Temp. Effect on Zero	(%F.S/10℃)	0.2
Temp. Effect on Output	(%F.S/10℃)	±0.05
Zero Output	(%F.S)	±0.5
Input Resistance	(Ω)	1000±2
Output Resistance	(Ω)	1000±2
Insulation Resistance	(MΩ)	≥5000
Excitation Voltage	(V)	≤10
Operation Temp Range	(℃)	0--+50
Overload Capacity	(%F.S)	150
Capacity(kg)		40, 50
Material		Alloy steel
Protection		IP65
Recommended Applications		Body scale sensor